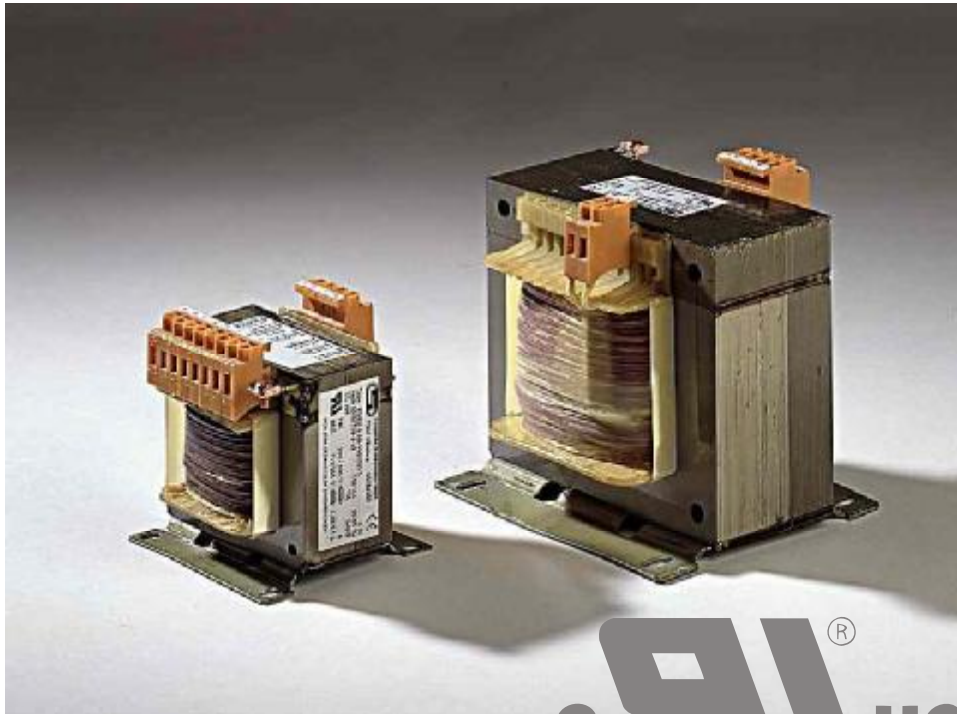


Steuertransformatoren

Control-Transformers



IEC 61558

C  US

DIN VDE 0570

EN 61558

von 63 VA bis 2500 VA

from 63 VA to 2500 VA



Reg.-Nr. 2750



Drei in einem!

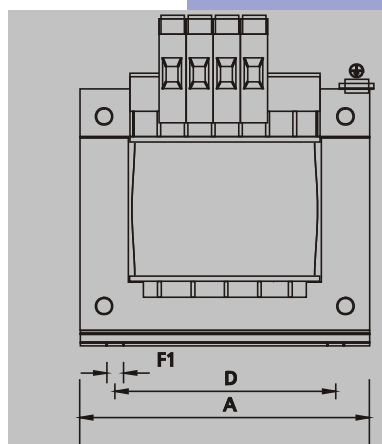
Three-in-one!

Steuer-, Trenn- oder Sicherheitstransformatoren Control-, Isolating- or Safety Transformers

| | | |
|------------------------------------|-------------------------------------|--|
| Eingangsspannung | input voltage | 230 V +/- 5% oder/or 400 V +/- 5% oder/or 115 V +/- 5% |
| Nennfrequenz | frequency | 50 / 60 Hz |
| Ausgangsspannung | output voltage | 230 oder/or 24 V |
| Optionen: | options: | |
| sekundärseitige Sicherheitsklemmen | fuse terminals on secondary side | bis 6,3 A / til 6,3 A |
| Schnappbefestigung | snap mounting | bis 5 kg / til 5 kg |
| Federzugklemmen | spring terminals | bis 25 A / til 25 A |
| Tropenisolation | insulation for tropical environment | |

Einphasen-Mehrspannungstransformatoren Single-phase multivoltage-transformers

| | | |
|--------------------|-------------------------------------|---|
| Eingangsspannung | input voltage | 200/ 230/ 240/ 380/ 400/ 415/ 440/ 460/ 480/ 500 V |
| Nennfrequenz | frequency | 50 / 60 Hz |
| Ausgangsspannung | output voltage | 115 / 230 V |
| Optionen: | options: | |
| Schnappbefestigung | snap mounting | bis 5 kg / til 5 kg |
| Tropenisolation | insulation for tropical environment | |

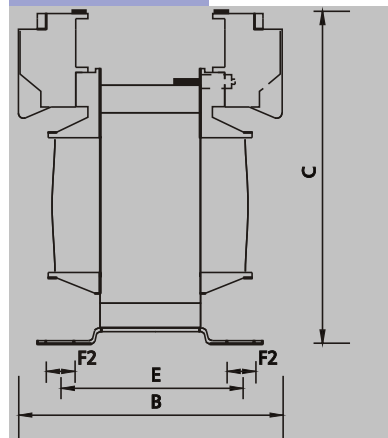


Allgemeine Technische Daten General technical data

| | | |
|-------------------|------------------------|--|
| Schaltgruppe | vector group | 1i0 |
| Bauvorschriften | construction standards | IEC 61558, EN 61558, DIN VDE 0570, UL 506/CSA, VBG 504, CE-Vorschriften/CE-standards |
| Schutzklasse | protective class | 1 |
| Schutzart | protective system | IP00 |
| Thermische Klasse | thermal class | ta 40/B |
| Einschaltdauer | cyclic duration factor | 100% |
| Einschaltstrom | inrush current | <= 12 x INenn |



| Einphasen-Einfachspannungstransformatoren One-phase single voltage transformers | | | | | | | |
|--|-------|-----------|----------------|----------------|----------------|----------------|----------------|
| Eingangsspannung Input voltage | | | | | | | |
| | 230 V | 230 V | 400 V | 400 V | 115 V | | |
| Ausgangsspannung output voltage | | | | | | | |
| | 230 V | 24 V | 230 V | 24 V | 230 V | | |
| Leistung/Power (VA) | | | | | | | |
| IEC | UL506 | Kurzzeit* | Type | ECED | | | |
| 63 | 63 | 125 | 0.09B-990101T2 | 0.09B-990101T1 | 0.09B-990101T4 | 0.09B-990101T3 | |
| 100 | 100 | 230 | 0.18B-990101T6 | 0.18B-990101T5 | 0.18B-990101T8 | 0.18B-990101T7 | 0.18B-990101T9 |
| 160 | 150 | 390 | 0.3 B-990101U1 | 0.3 B-990101T0 | 0.3 B-990101U3 | 0.3 B-990101U2 | |
| 200 | 185 | 460 | 0.4 B-990101U5 | 0.4 B-990101U4 | 0.4 B-990101U7 | 0.4 B-990101U6 | |
| 250 | 200 | 620 | 0.4 B-990101U9 | 0.4 B-990101U8 | 0.4 B-990101V2 | 0.4 B-990101U0 | 0.4 B-990101V1 |
| 320 | 260 | 790 | 0.5 B-990101V4 | 0.5 B-990101V3 | 0.5 B-990101V6 | 0.5 B-990101V5 | |
| 400 | 320 | 1050 | 0.65B-990101V8 | 0.65B-990101V7 | 0.65B-990101V0 | 0.65B-990101V9 | 0.65B-990102T1 |
| 500 | 410 | 1400 | 0.8 B-990102T3 | 0.8 B-990102T2 | 0.8 B-990102T5 | 0.8 B-990102T4 | |
| 630 | 510 | 1800 | 1.0 B-990102T7 | 1.0 B-990102T6 | 1.0 B-990102T9 | 1.0 B-990102T8 | |
| 800 | 640 | 2300 | 1.3 B-990102U1 | 1.3 B-990102T0 | 1.3 B-990102U3 | 1.3 B-990102U2 | |
| 1000 | 770 | 3200 | 1.8 B-990112U5 | 1.8 B-990102U4 | 1.8 B-990102U7 | 1.8 B-990102U6 | |
| 1600 | 1260 | 4500 | 3.0 B-990102U8 | | 3.0 B-990102U9 | | |
| 2000 | 1600 | 6300 | 4.0 B-990102U0 | | 4.0 B-990102V1 | | |
| 2500 | 2250 | 8000 | 4.0 B-990102V2 | | 4.0 B-990102V3 | | |



| Type | Abmessungen / Measurements | | | | | | | |
|-------|----------------------------|--------|--------|--------|--------|---------|---------|---------------------|
| ECED | A (mm) | B (mm) | C (mm) | D (mm) | E (mm) | F1 (mm) | F2 (mm) | Gewicht/weight (kg) |
| 0.09B | 78 | 73 | 89 | 56 | 47 | 4,8 | 9,0 | 1,2 |
| 0.18B | 84 | 83 | 93 | 64 | 63 | 4,8 | 8,0 | 2,1 |
| 0.3 B | 96 | 91 | 104 | 84 | 73 | 5,8 | 9,0 | 2,8 |
| 0.4 B | 96 | 106 | 104 | 84 | 90 | 5,8 | 9,0 | 3,6 |
| 0.5 B | 120 | 103 | 121 | 90 | 73 | 5,8 | 12,0 | 4,4 |
| 0.65B | 120 | 116 | 121 | 90 | 85 | 5,8 | 12,0 | 5,3 |
| 0.8 B | 120 | 135 | 121 | 90 | 106 | 5,8 | 12,0 | 6,9 |
| 1.0 B | 150 | 113 | 145 | 122 | 90 | 7,0 | 15,0 | 7,9 |
| 1.3 B | 150 | 130 | 145 | 122 | 106 | 7,0 | 15,0 | 10,0 |
| 1.8 B | 150 | 156 | 145 | 122 | 134 | 7,0 | 15,0 | 13,5 |
| 3.0 B | 174 | 160 | 173 | 135 | 141 | 7,0 | 15,0 | 20,3 |
| 4.0 B | 192 | 182 | 180 | 155 | 149 | 11,0 | 18,0 | 24,5 |

| Einphasen-Mehrspannungstransformatoren One-phase multivoltage transformers | | | | | | | | | | | |
|---|-------|-----------|----------------------------|--------|--------|--------|--------|---------|---------|---------------------|----------------|
| Ausgangsspannung / output voltage 115 / 230 V | | | | | | | | | | | |
| Leistung/Power (VA) | | | Abmessungen / Measurements | | | | | | | | |
| IEC | UL506 | Kurzzeit* | A (mm) | B (mm) | C (mm) | D (mm) | E (mm) | F1 (mm) | F2 (mm) | Gewicht/weight (kg) | Type EUED |
| 100 | 100 | 250 | 96 | 81 | 104 | 84 | 65 | 5,8 | 9 | 2,4 | 0.25B-990102V4 |
| 160 | 150 | 390 | 96 | 91 | 104 | 84 | 73 | 5,8 | 9 | 2,8 | 0.3 B-990102V5 |
| 250 | 200 | 620 | 120 | 103 | 121 | 90 | 73 | 5,8 | 12 | 4,4 | 0.5 B-990102V6 |
| 400 | 320 | 1050 | 120 | 135 | 121 | 90 | 106 | 5,8 | 12 | 6,9 | 0.8 B-990102V7 |
| 630 | 510 | 1800 | 150 | 130 | 145 | 122 | 106 | 7 | 15 | 10,0 | 1.3 B-990102V8 |
| 1000 | 770 | 3200 | 174 | 130 | 173 | 135 | 111 | 7 | 15 | 15,5 | 2.0 B-990102V9 |
| 1600 | 1260 | 4500 | 194 | 182 | 180 | 155 | 149 | 11 | 18 | 24,5 | 4.0 B-990102V0 |
| 2000 | 1600 | 6300 | | | | | | | | 24,5 | 4.0 B-990103T1 |

* Kurzzeitleistung bei $\cos \phi = 0,5$ / short-period-power $\cos \phi = 0,5$

| Bitte beachten Sie bei den Maßen: | Please note special measurements: | | |
|---------------------------------------|--|-----------|--|
| Sekundärstrom > 25 A | Secondary currents > 25 A | | |
| Transformatoren mit Sicherungsklemmen | Transformers with fuse terminals on secondary side | | |
| | B + 22 mm | C + 14 mm | |
| | B + 8 mm | C + 20 mm | |





J. Schneider Elektrotechnik GmbH

Helmholtzstraße 13

D-77652 Offenburg

Germany

Tel. +49 / (0) 781 / 206-0

Fax +49 / (0) 781 / 25318

info@j-schneider.de

http://www.j-schneider.de